

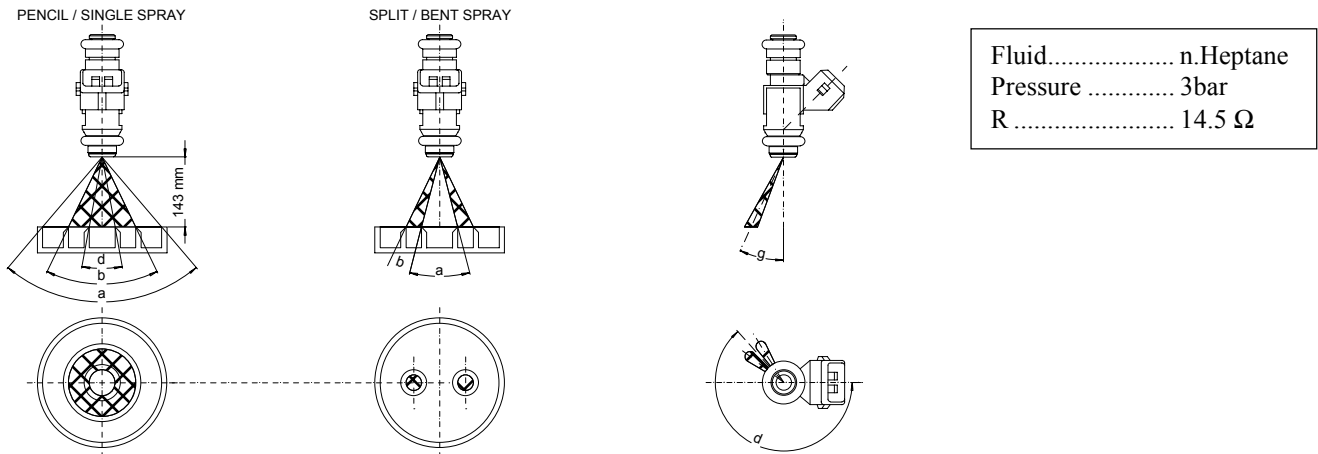
Pico

Spray patterns



The following spray pattern information is applicable to all of the 'Pico' style fuel injectors. Certain Injectors are highlighted in bold to indicate that individual data sheets are available within this catalogue, and to indicate that they are considered as standard items which are typically ex-stock.

All data is nominal and cannot be guaranteed – For users with very specific requirements we suggest that you make selecting testing.



CODE	STATIC FLOW (cc/min)	CONNECTOR ANGLE	SPRAY CONFIGURATION	a	b	g	d
IWP 001	200	60°	BENT STREAM	16°	10°	25°	90°
IWP 003	215	45°	PENCIL STREAM	---	15°	---	---
IWP 006	226	45°	SPLIT STREAM	16°	10°	0°	0°
IWP 022	215	60°	SINGLE STREAM	---	24°	---	---
IWP 023	158	45°	PENCIL STREAM	---	15°	---	---
IWP 024	226	45°	SINGLE STREAM	---	24°	---	---
IWP 025	200	45°	SPLIT STREAM	18°	10°	0°	180°
IWP 026	184	45°	SPLIT STREAM	19°	10°	0°	180°
IWP 041	146	45°	SPLIT STREAM	16°	10°	0°	180°
IWP 042	2,83	45°	SPLIT STREAM	19°	10°	0°	230°
IWP 043	329	45°	SINGLE STREAM	---	20°	---	---
IWP 044	193	45°	SINGLE STREAM	---	24°	---	---
IWP 045	200	45°	BENT STREAM	16°	10°	25°	45°
IWP 048	215	60°	SINGLE STREAM	---	24°	---	---
IWP 049	184	45°	PENCIL STREAM	---	15°	---	---
IWP 058	132	45°	SPLIT STREAM	16°	10°	0°	0°
IWP 064	186	60°	BENT STREAM	14°	12°	20°	90°
IWP 065	158	60°	PENCIL STREAM	---	15°	---	---
IWP 066	2,58	60°	SINGLE STREAM	---	24°	---	---
IWP 067	226	60°	SINGLE STREAM	---	24°	---	---
IWP 069	491	60°	PENCIL STREAM	---	15°	---	---
IWP 076	215	60°	SINGLE STREAM	---	24°	---	---

For further details please contact

MM Competition Systems Ltd
Hyjuniper, Long Lane
Shaw, Berkshire,
RG14 2TA
England

Tel: +44 (0)8707 444666
Fax: +44 (0)8707 444888
www.mmcompsys.com
mail@mmcompsys.com